

CODE	SN113-0005-02
DATE	2019.10.11

SPECIFICATION

MODEL : HYD. CRAWLER DRILL
(JD - 1300E)

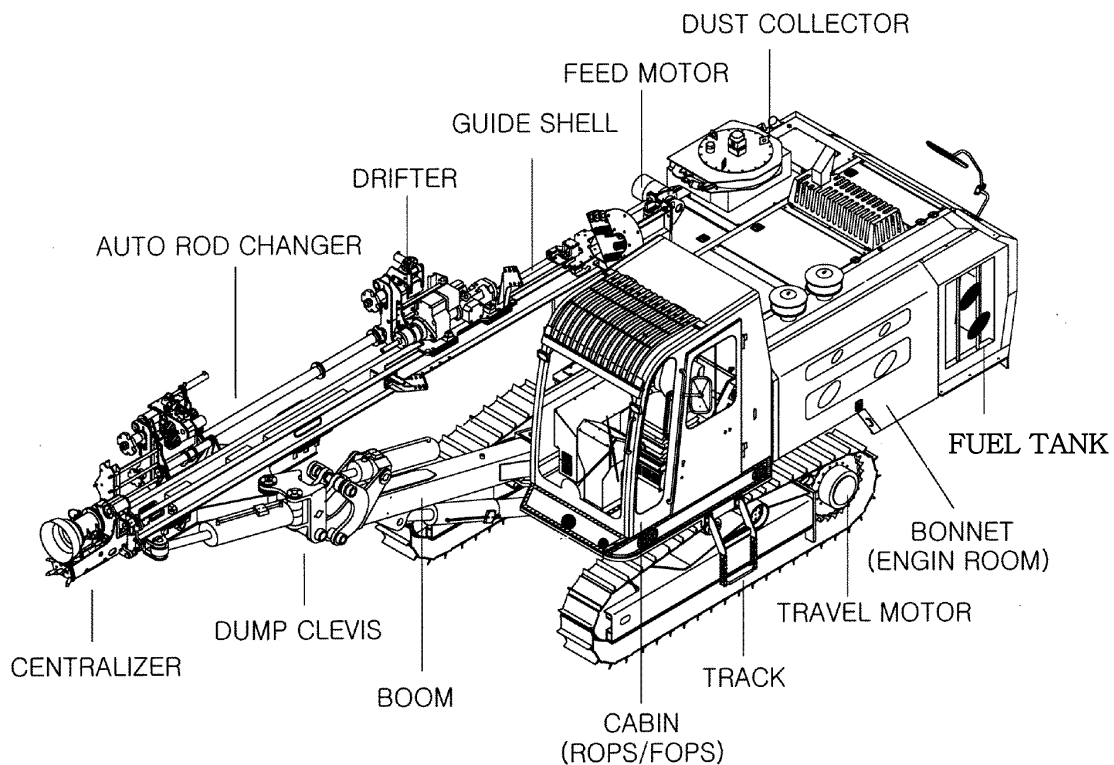
CUSTOMER :

SOOSAN CSM

1. General Description

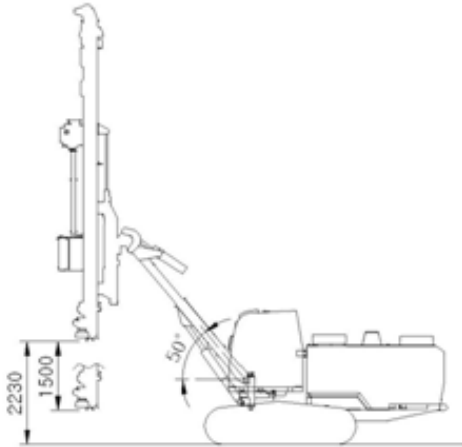
SOOSANCSM hydraulic crawler drill is a drilling machine for blasting with dynamite in the quarries, and mining and construction site. It is mainly composed of Traveling device as a base machine, Drifter, Guide shell, loading device as drilling device, power unit and running device operated by diesel engine. Differently from pneumatic drill, Air compressor and dust collector installed on the power unit make a high efficient rock drilling with low noise as much as possible.

2. Design assembly

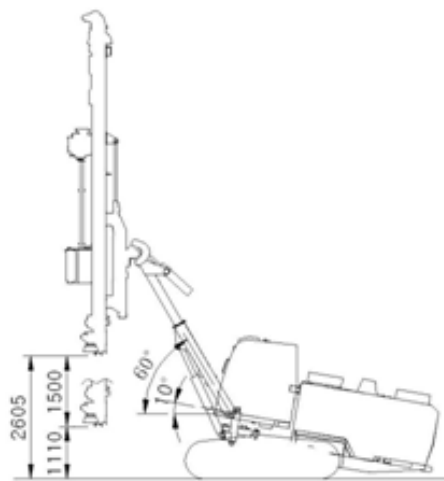


3. COVERAGE RANGE

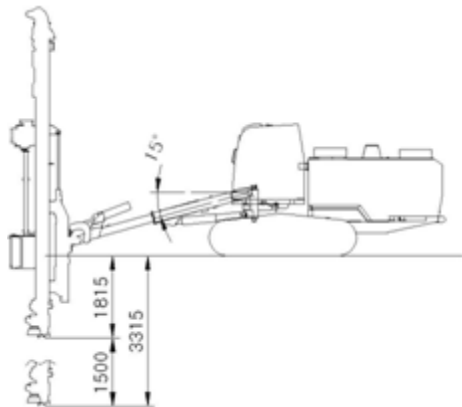
1) BOOM LIFTING, EXTENDING, GUIDE SLIDING
(Vertical Drilling)



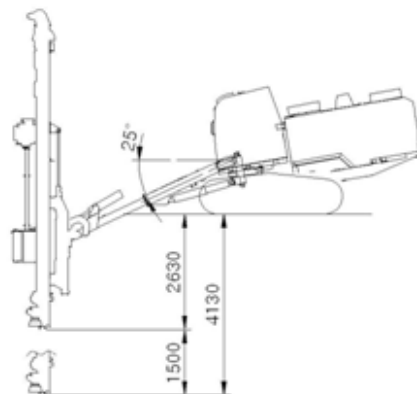
2) BOOM LIFTING, EXTENDING, TRACK OSCILLATING
(Vertical Drilling)



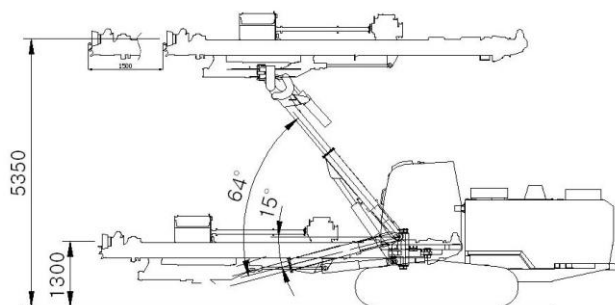
3) BOOM LOWERING, EXTENDING, GUIDE SLIDING
(Vertical Drilling)



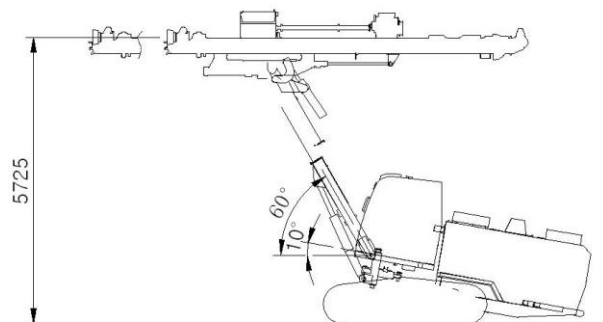
4) BOOM LOWERING, EXTENDING, GUIDE SLIDING
,TRACK OSCILLATING. (Vertical Drilling)



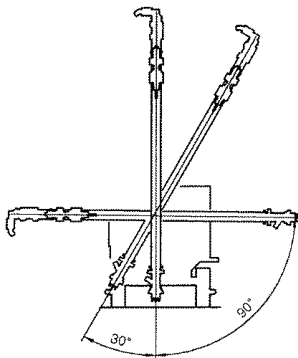
5) BOOM LIFTING, LOWERING, EXTENDING, GUIDE SLIDING
(Horizontal Drilling)



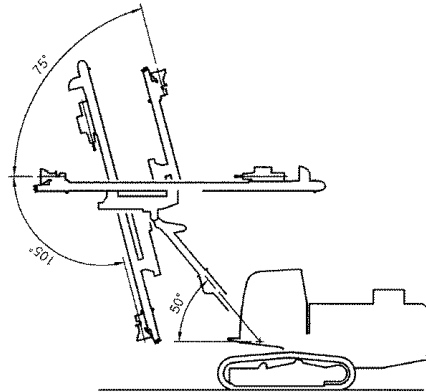
6) BOOM LIFTING, EXTENDING, TRACK OSCILLATING
(Horizontal Drilling)



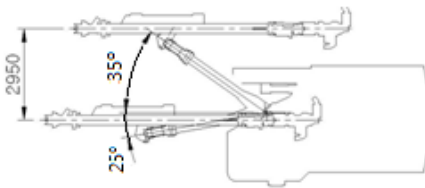
7) GUIDE SWING



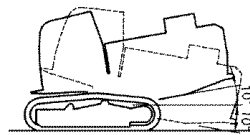
8) GUIDE TILTING. (AT BOOM LIFTING: 50°)



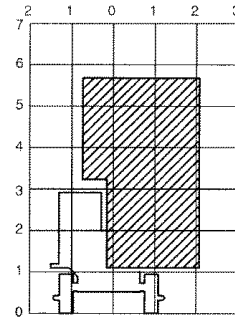
9) BOOM SWING



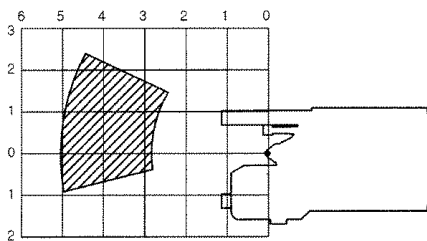
10) TRACK OSCILLATING



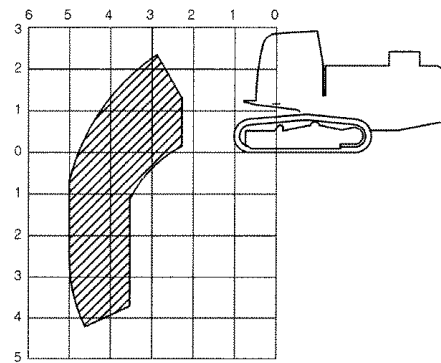
11) HORIZONTAL DRILLING



12) VERTICAL DRILLING(I)



13) VERTICAL DRILLING(II)



4. Features

1) Powerful Drifter JET-9

Drifter model JET-9 with hydraulic hammering system and hydraulic motor easily and speedily performs Drilling $\Phi 76\sim\Phi 115$ by hammering, rotating and flushing the debris in the hole. Its simple and practical components are different from the others.

- ① Special seals adopted in the front and rear of the piston enhance its durability.
 - ② Highly increased hammering energy increased drilling speed.
 - ③ Chuck made of special alloy increases durability.
- ※ YH series is also available as an optional feature

2) Working safety

- ① Tumbler length 2480mm and shoe width 330mm maximizes safety.
- ② Ground clearance (510mm) and track oscillation ($\pm 10^\circ$) on either side prevent the bottom from being damaged by projection on the rough zone.

3) Anti-jamming system

Makes the stable operation possible on all kind of rock and makes an easy operations by an unskilled operator. This will be operated only in case the anti-jamming switch is on position.

4) Collaring

Collaring makes it easy to take a correct position for drilling and an unskilled operator performs drilling correctly.

5) Traveling speed and gradeability

The piston pump and traveling motor with high efficiency maximize its traveling speed and gradeability-Traveling speed : 3.3km/h ;

Max. Grade ability: 28°

6) Maintenance and inspection

Panel typed bonnet and vertical typed fuel tank make more room for checking and services.

The oil drain cocks installed on either side for engine oil, gear box oil, fuel, compressor oil make the oil exchange and cleaning easy.

7) Powerful Dust Collector

- ① Dust collector with 4 filters prevents dust from flying in drilling and its filters are protected by air flushing in each filter.
- ② To prevent the filter from being damaged by a water vein, shutter installed within stop collecting dust in case a water vein appears during drilling.

8) Comfortable and safe Cabin

Strong frame, safety glass on all directions, and safety net protect the operator and provide secure broad view in job site. Floating typed operators seat with air-bellows protects the operator from vibration and provides very comfortable working conditions. Air condition, radio, and the heater are provided as basic specifications.

9) Sliding Suction Hood

With suction hood cab slided up and down by the operator in the cabin, the operator can perform drilling without others assistance correctly. The hood stuck to the ground prevents the debris from flying in drilling.

10) Auto Lubrication for Drifter

Lubricator part and an oil tank are installed to refuel the Drifter Front Part (gear box). The flow rate of the Lubricator has automatically supplied from an oil tank.

The automatic lubrication system removes the inconvenience of feeding oil frequently and protects the drifter from being damaged by lubrication oil shortage.

11) Centralized Electric Control System

All the electric control devices are centralized in the control box for checking any trouble easily.

12) Pre-Cleaner (Cyclone)-Optional Parts

Pre-cleaner installed between hood and dust collector protects the filters in the dust collector and the hose from being damaged by the debris.

13) Auto Grease System

Before the rod and the sleeve connected, greases the external screw by only pushing the button, which helps the rod and the sleeve charged tightly to get easily loosed.

14) Auto Rod Changer (ARC)

The operator connects or disconnects the rods by controlling only a few levers in the cabin without an assistant.

This automatic rod exchange can be performed by means of sequential hydraulic schematic.

7 Rods(including the first rod) can be equipped in the cartridge of ARC

15) Cummins Engine with large output

Cummins engine with water cooling system supply sufficient power for traveling or operating at job site. Especially its world wide services network by Cummins will be a good point for the users.

16) Large Fuel Tank

Fuel tank can hold 405 liters and gives comparatively a long operating duration.

The residual fuel can be observed in sight unless engine room opened.

17) Compressor On/Off Switch

Air compressor can be used only in case compressed air required by On/Off switch. The On/Off switch of compressor is effective to cut down the engine fuel consumption by unloading the compressor at the Off position.

5. Specifications

NO	ITEM			MODEL	
				JD-1300E	
1	Overall Dimensions	Gross weight	kg	14,700	
		Overall length	mm	9,400	
		Overall width	mm	2,420(2,890)	
		Overall height	mm	2,940	
		Ground clearance	mm	510	
2	Performance	Hole range	mm	Φ 65~Φ 115	
		Gradeability	°	28	
		Traveling speed	km/h	0 ~ 3.5	
3	Engine	Model		CTAA8.3-C (CUMMINS)	
		Rated output	hp/rpm	205 / 2,200	
		Oscillating Angle	°	±10	
4	Drifter	Model		JET-9	YH-80
		Total Length	Mm	1,148	1,025
		Total Width	Mm	379	360
		Total Height	Mm	297	295
		Weight	Kgf	270	210
		Impact Frequency	Hz	35~50	40~45
		Rotational Torque	Kgf-m	Max. 88	Max. 59
		Rotational Frequency	RPM	Max. 180	Max. 150
		Impact Pressure	Bar	Max. 150	Max. 140
		Rotation Pressure	Bar	Max. 140	Max. 140
		Flusing Pressure	Bar	Max. 10.5	Max. 10.5
5	Air compressor	Model		JDS1300	
		Working pressure	kg/cm ²	10.5	
		Free air delivery	m ³	8	
		Tank capacity	m ³	0.051	
6	Guide	Overall length	mm	7,290	
		Slide length	mm	1,500	
		Feed length	mm	4,300	
		Swing angle	R/L°	30 /90	
		Tilt angle	°	180	

NO	ITEM			MODEL
				JD-1300E
7	Boom	Overall length	mm	3,000
		Lift angle	U/D。	50/15
		Swing angle	R/L。	35/25
		Slide length	mm	1,100
8	Dust collector	Suction capacity	m ³ /min	20
		Number of filters	EA	4
		Blow pressure	mm/Aq	550
9	Under carriage	Length of tumbler	mm	2,480
		Shoe width	mm	330
10	Tool	Length of rod	mm	3,660
		Bit dia.	mm	Φ 76~Φ 115
		Rod section	mm	R45, R51(*)
11	Hyd. sys.	Hyd. pump		Kawasaki Variable Piston Pump+ Gear Pump
12	Auto rod changer	Type		○
		Number of Rod	EA	6 + 1 (*5+1)
13	CABIN	ROPS & FOPS		STD

6. Specification Diagram

